

- Steerable Stabilized Roll
- Accepts Any Camera
- IMAX Ready



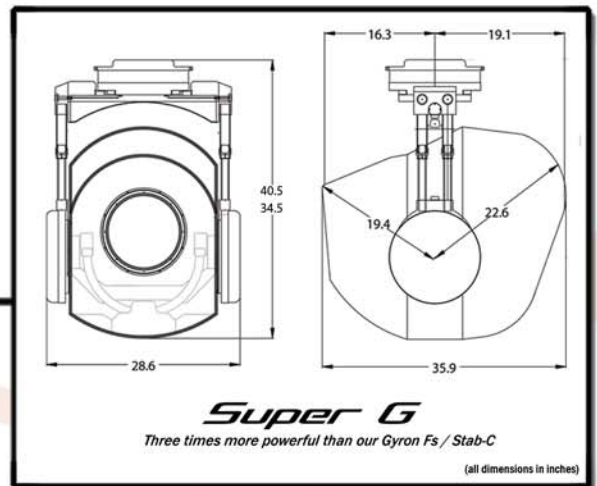
Now Stabilizing Your Creativity At 120 Knots (138Mph)



The Super-G Stabilizes the HI-DEF Genesis Camera



- Stabilizes any camera or payload
- Silent in operation
- Fully stable image at the end of a 500mm film lens[†]
- Wireless control option
- Stabilized steerable roll axis
- 120 knot flight speed



System Specifications

- Gyro-Stabilization 5 axis high bandwidth full stabilization
- Operational Ranges Type 'A' (Low micro-radian)
 - Pan 360° continuous □ 120°/sec.
 - Tilt 123° □ 60°/sec.
 - Roll +/- 50° max; Steerable or Auto Level □ 60°/sec.
- System Orientation Hanging
- Max Lens Stabilized[†] 25-500mm Film Lens(Standard)
10-1440mm Video Lens (Advanced-call for details)
- Environmental -22°F to 120°F (-30°C to 45°C) Sealed for Rain
- Max. Payload Wt. 130 Lbs. (59Kg.)
- Max. Payload Size 12.25"W x 18"H x 36"L (31.1cm x 45.7cm x 91.4cm)
- System Weight 200 lbs. (91Kg.) Includes Housing
- Flight Speed 120 Knots
- Power Requirements 24-28 VDC (85 watts standby, 420 watts dynamic max)
- Targeted Tracking Automatic
- Back Pan Correction Automatic/Selectable
- Operator Controls Wheels or Joystick
- Lens Control Preson FI+Z included

[†] Measured under optimal conditions, actual results may vary.

Cameras Accepted

- Wired to accept entire product line of: Panavision, Arriflex, Moviemax, Imax MSM, Iwerks 870 & 1570, Mitchell R35 MkII, Paramount Vistavision (call for others)
- All HI-DEF and broadcast video cameras
- Entire range of today's most sophisticated lenses

Helicopter Brackets

- Available for the A-Star and Twin-Star (call for other aircraft)